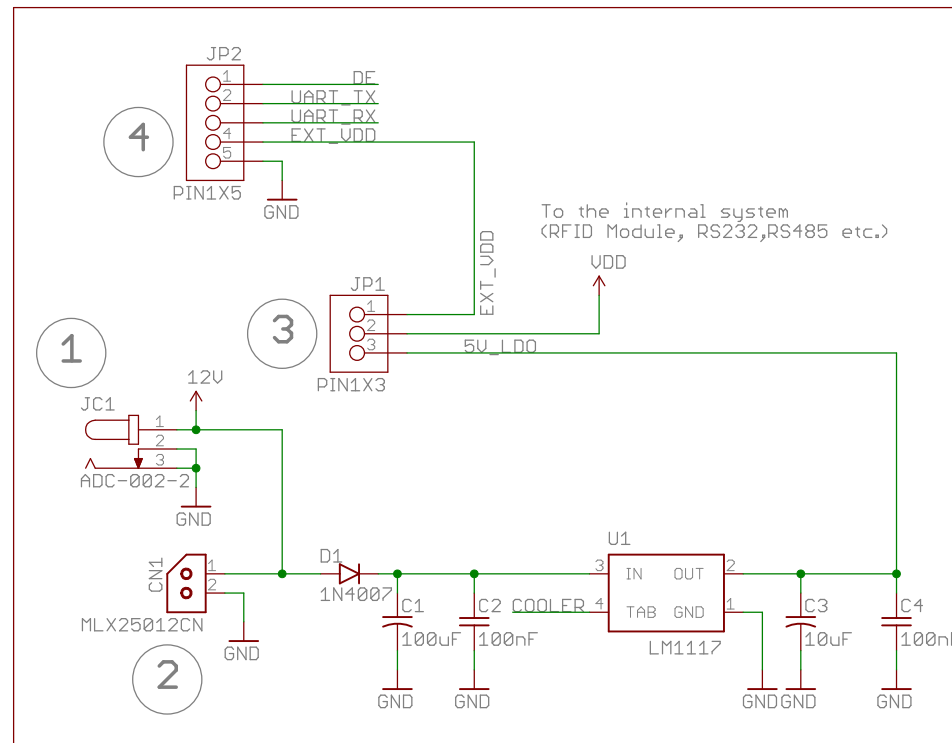


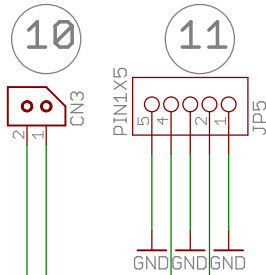
Reference schematic for pin-to-pin compatible modules:  
SM5210-Mini Mifare Module  
SM5211-SMD Mifare Module  
SM1250-Mini 125 kHz RFID Module  
SM1251-SMD 125 kHz RFID Module

SM2251 Schematic / Page 1 of 3

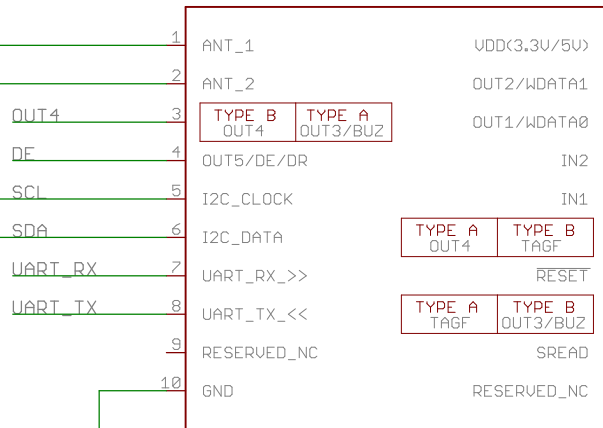
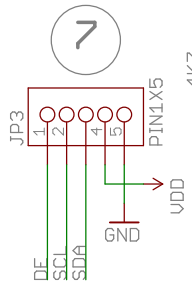


Keep antenna connections as close as possible to the module for best performance

125 kHz RFID Coil Wire Antenna  
 13.56 MHz Mifare PCB Antenna

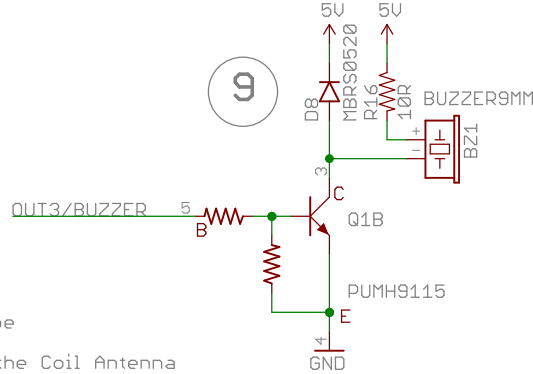


Use right antenna type for the target module  
 125 kHz Module with the Coil Antenna  
 Mifare module with the PCB Antenna

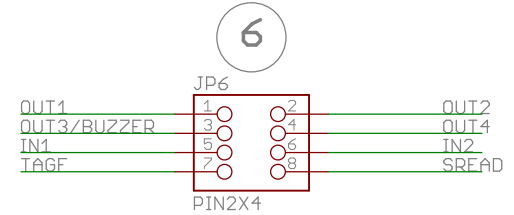


Mini20/SMD20 package  
 RFID Module  
 (TypeB pinout connection)

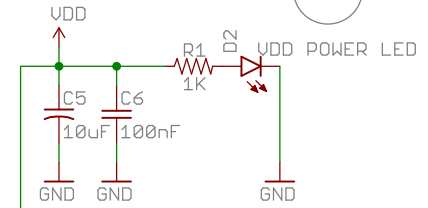
15



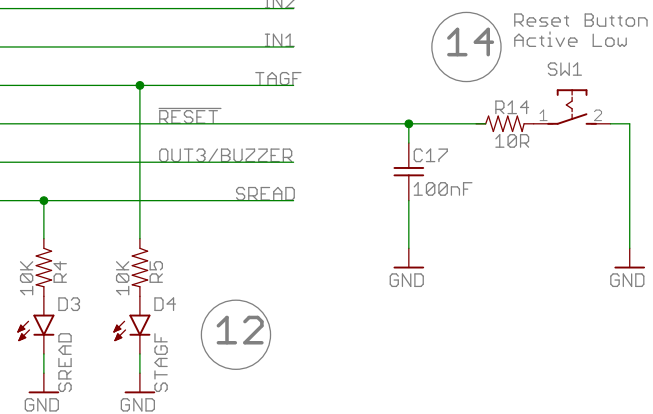
9



6



13



12

14

Reset Button Active Low

SW1

