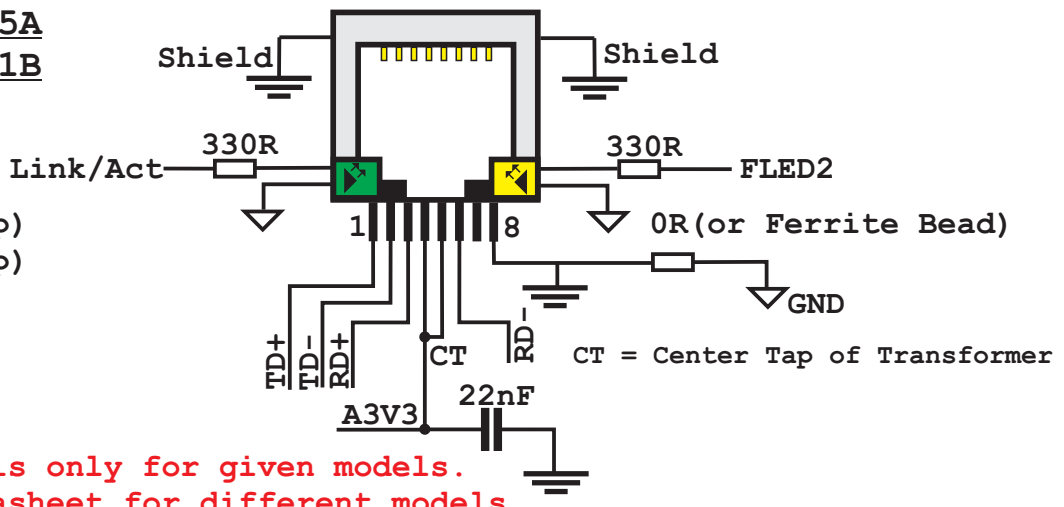


**Hanrun HY911105A
Pulse J0011D01B**

1. TD+
2. TD-
3. RD+
4. CT (Center Tap)
5. CT (Center Tap)
6. RD-
7. No Connection
8. CHS GND



***Rj45 Pin order is only for given models.
Check magnet datasheet for different models**

***Only suggested magnets must be used!**