

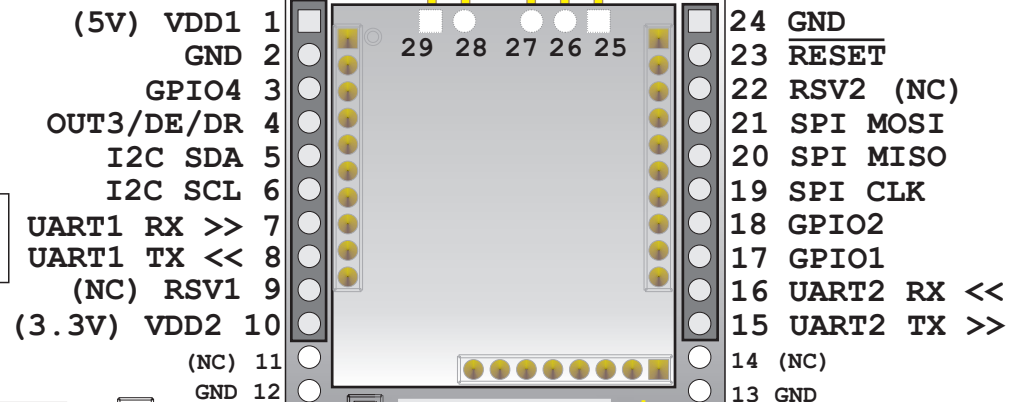
Rs232 (Channel2) +/-12V

UART2(Channel2) is connected to on-board Rs232 IC on SE1720-M24 standard model.

Do not use UART2 pins if module comes with Rs232 IC or remove R5 (0R) found on the bottom layer of the module to prevent output confliction with St232 and external M C U T X p i n

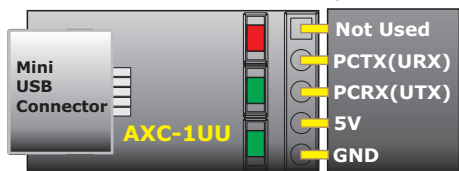
For UART connection requirements, instead of Rs232, you can still use UART1 (Channel1)

UART2 (Channel2) 3.3V/5V

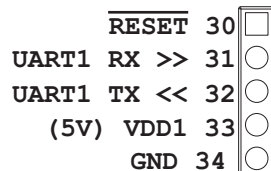


UART1 (Channel1) 3.3V/5V

AXC-1UU / USB-UART Converter
Easy Serial Connection of the module with PC without need of external power



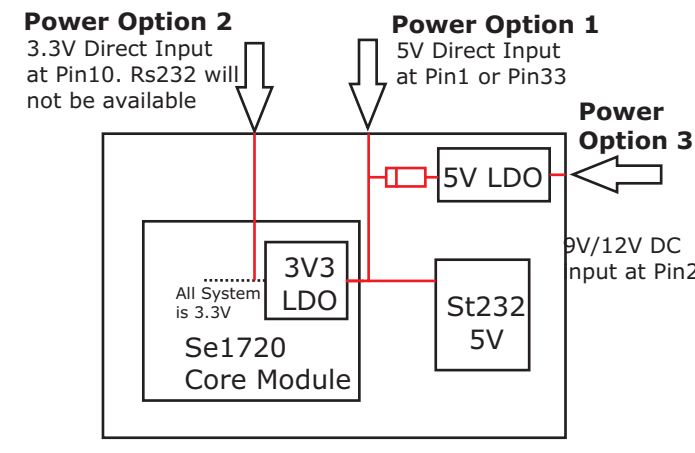
Connects over USB with Virtual Com Port



Alternative UART1 connection pins for external MCU or PC with AXC-1UU USB-UART converter tool.

Power Domain & Power Supply Options

- Use only one power option:**
 - Power Option 1(5V Direct, Pin#1 or Pin#33)
 - Power Option 2(3.3V Direct, Pin#10)
 - Power Option 3(9V/12VDC, Pin#29)



i All I/O is 3.3V CMOS(5V Tolerant) except for Reserved(Pin9, 22) and Rs232 pins(Pin25, 26).

Pin25 and Pin26 have +/-12V Rs232 voltage levels and should not be directly connected to any MCU otherwise MCU get damaged

Pin9 and Pin22 are reserved, and not 5V tolerant. They should be left unconnected.